

6

5

4

3

2

1

D

D

C

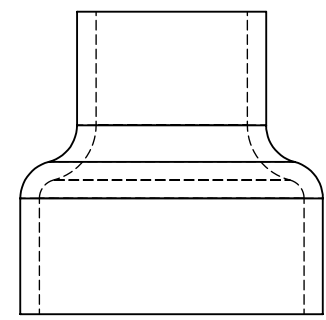
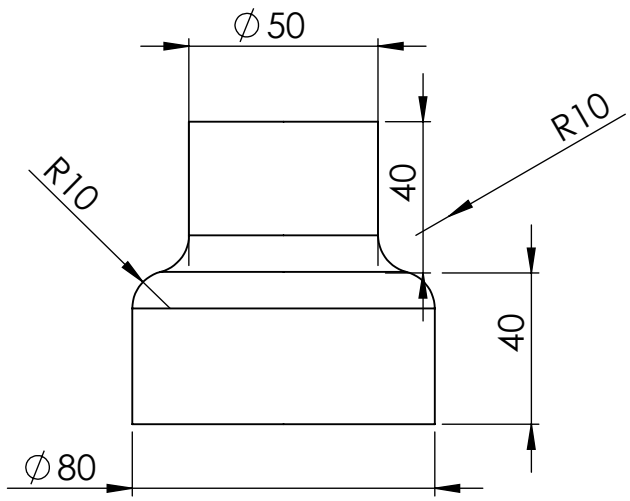
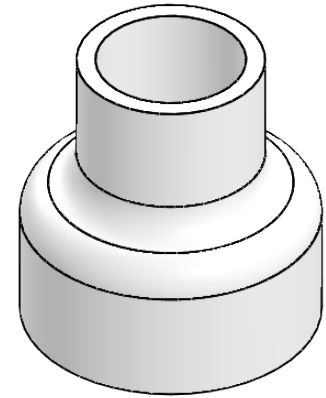
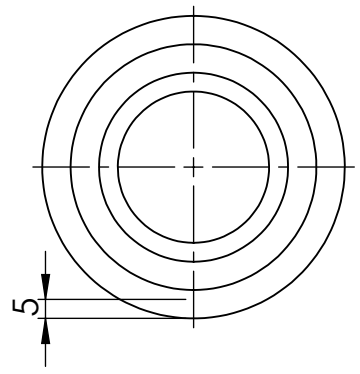
C

B

B

A

A



| | | | |
|-----------|----------|-------------|---|
| TITLE: | | PVC REDUCER | |
| MATERIAL: | PVC PIPE | DWG NO. | 6 |
| UNIT : mm | | | |

6

5

4

3

2

1