

6

5

4

3

2

1

D

D

C

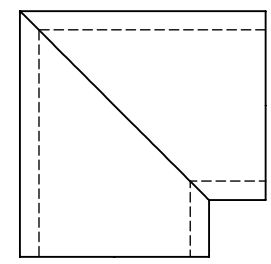
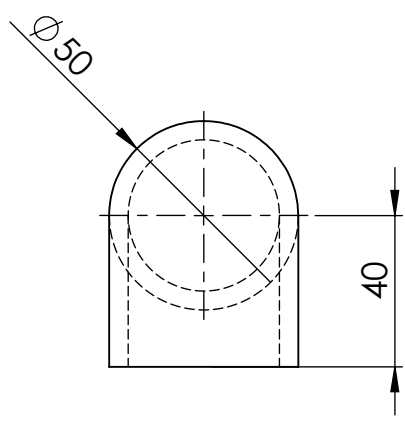
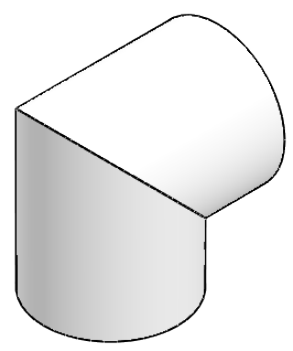
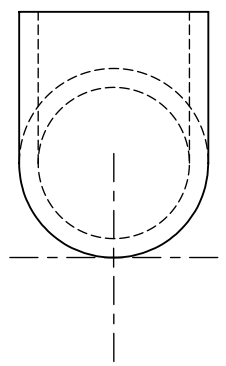
C

B

B

A

A



TITLE:		PVC ELBOW	
MATERIAL:		PVC PIPE	
DWG NO.		4	
UNIT : mm			

6

5

4

3

2

1