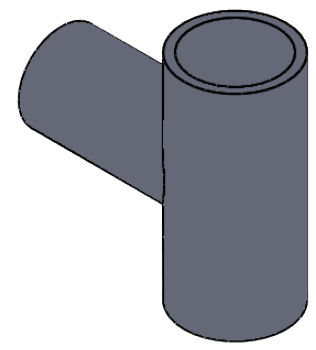
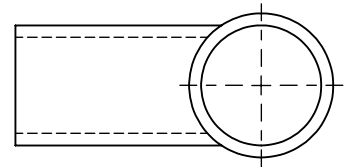


6 5 4 3 2 1

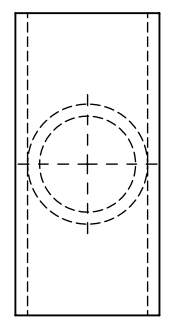
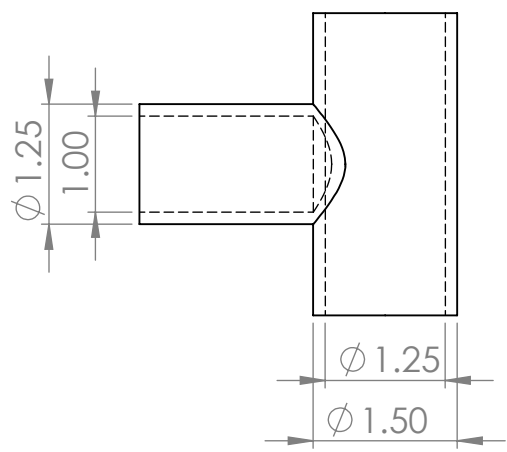
D

D



C

C



B

B

STREET LIGHT DESIGN

TITLE:

INNER BEAM

MATERIAL:

HOLLOW PVC

DWG NO.

7

A4

SCALE:1:2

UNIT : INCH

A

A

6 5 4 3 2 1