

6

5

4

3

2

1

D

C

B

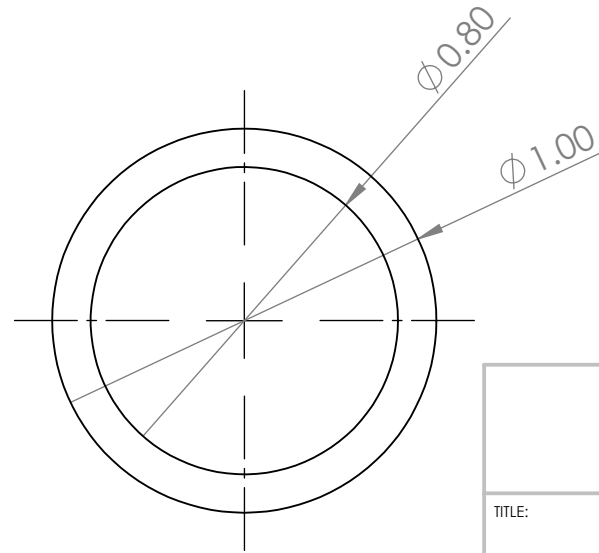
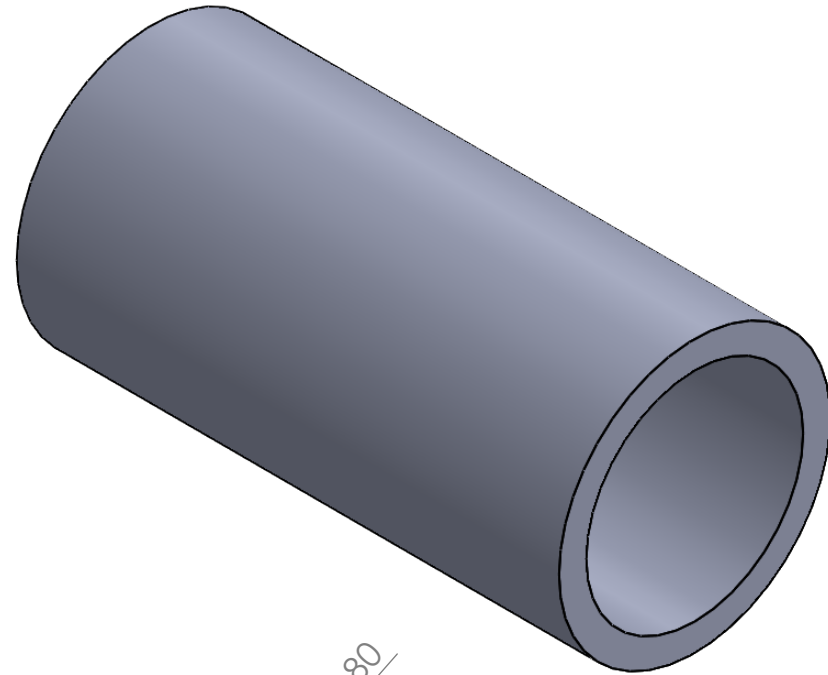
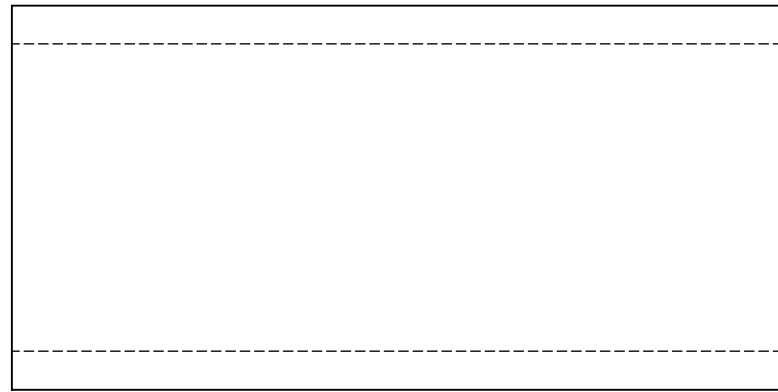
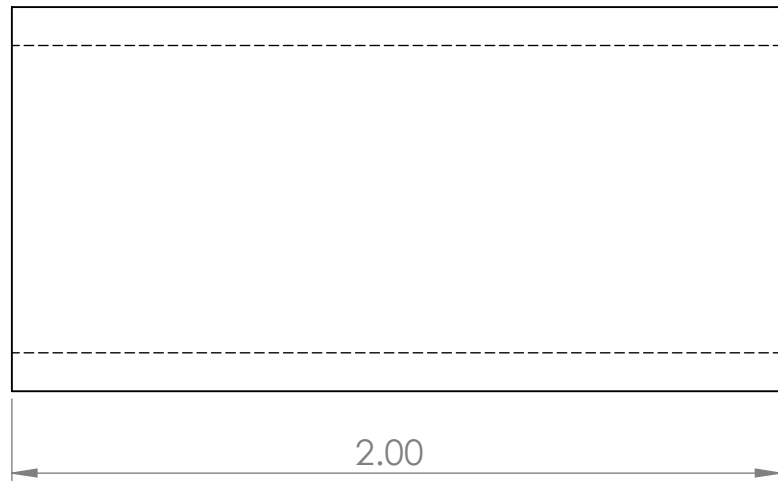
A

D

C

B

A



STREET LIGHT DESIGN		
TITLE:	INNER BEAM	
MATERIAL:	DWG NO.	A4
HOLLOW PVC	7	
SCALE: 10:1	UNIT : INCH	

6

5

4

3

2

1