

6 5 4 3 2 1

D

C

B

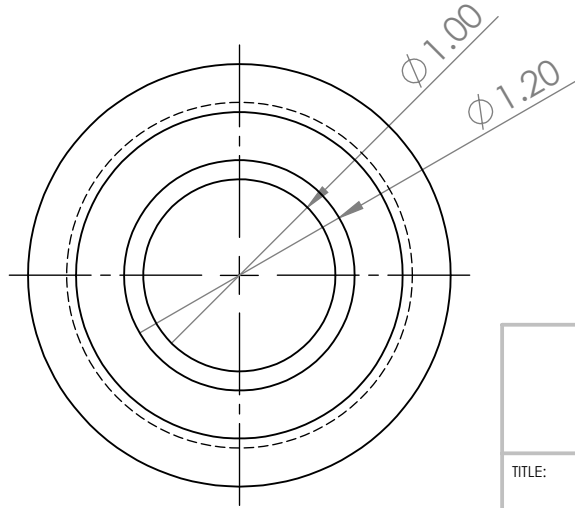
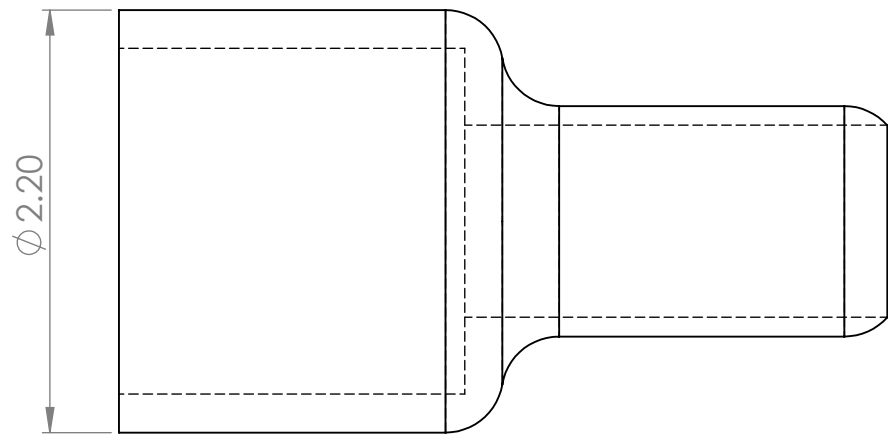
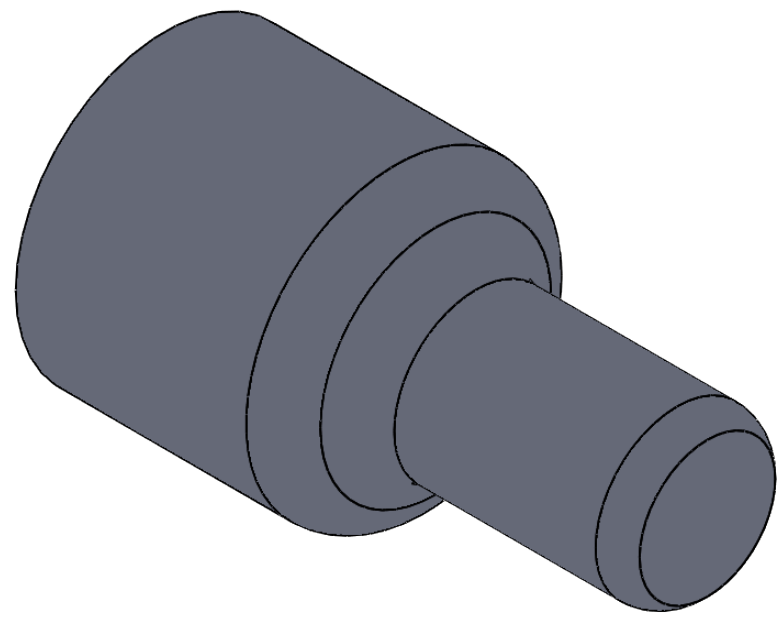
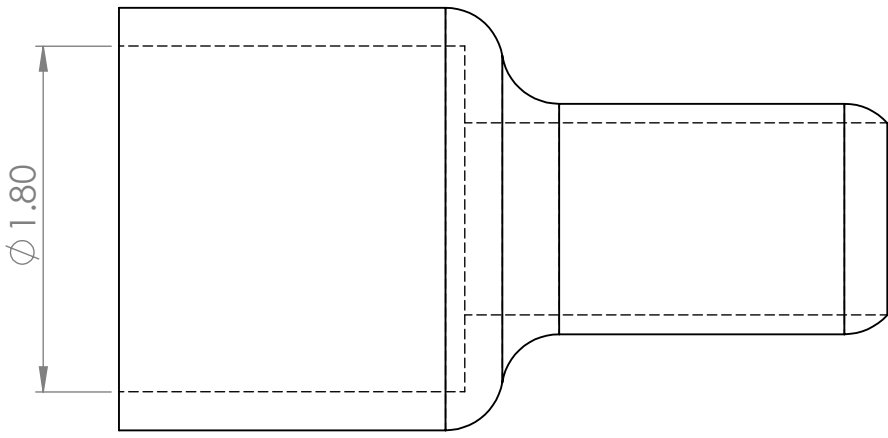
A

D

C

B

A



STREET LIGHT DESIGN

REDUCER 2

MATERIAL:
HOLLOW PVC

TITLE:

DWG NO. 6

SCALE: 1:1

UNIT: INCH

A4

6 5 4 3 2 1